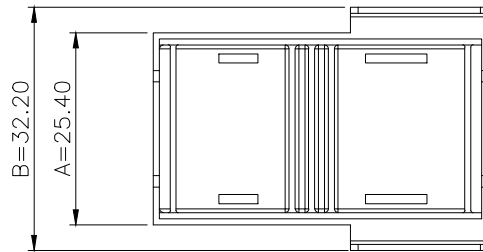
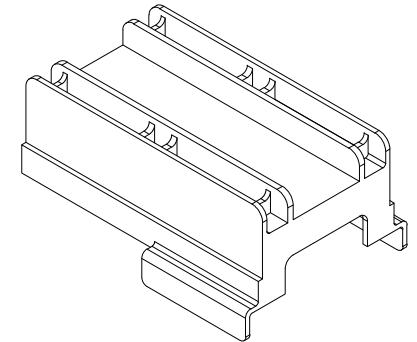
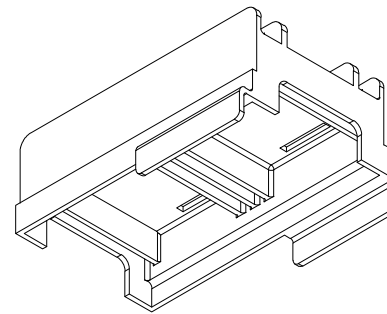
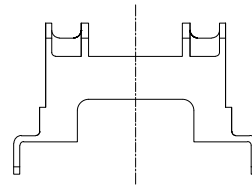
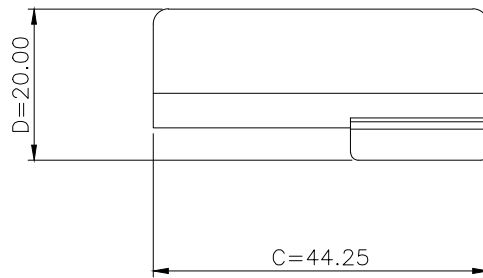


SECTION A-A

SECTION B-B



| △ | | | | | | | | | |
|------|--|------------------|------------|------------------|-------------------|--|-------------------|-------------|--|
| △ | | | | | | | | | |
| △ | | | | | | | | | |
| △ | | | | | | | | | |
| MARK | REVISION NOTE | | | | DATE | DRAWN | CHECKED | APPROVED | |
| | DRAWN | CHECKED | APPROVED | MATERIAL : P.E.T | UL REC. : UL94V-0 | THIRD ANGLE PROJ. | | SCALE : 1/1 | |
| | Deok Man, Cho | Hyoung Seok, Lee | Chul, Park | | DATE : 2009.09.08 | TOLERANCE : ±0.2 (Unless otherwise specified) | | UNIT : m/m | |
| | 주식회사 대흥보빈 DAE HEUNG BOBBIN CO., LTD | | | | TITLE | | UU 16*54 CAP (C) | | |
| | | | | | DWG NO | | DH-091102-1019-01 | | |