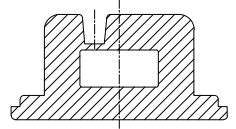
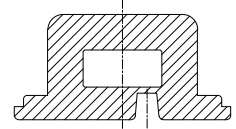


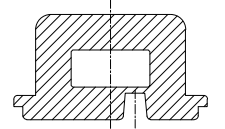
SECTION B-B



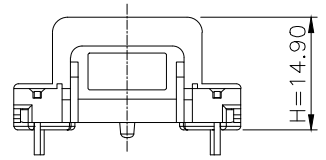
SECTION C-C



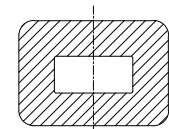
SECTION D-D



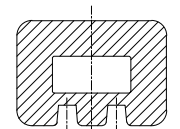
SECTION E-E



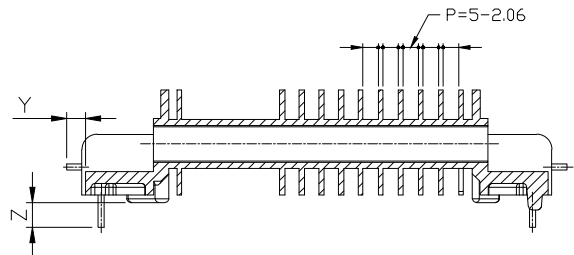
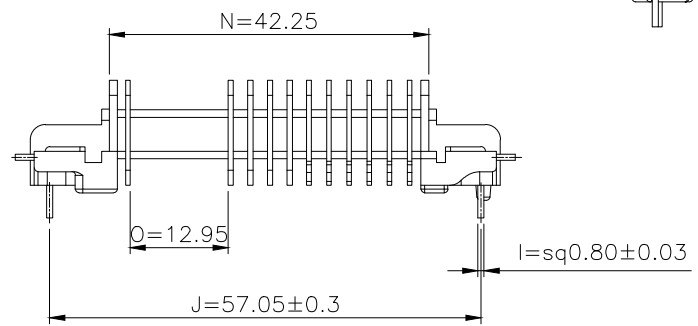
SECTION F-F



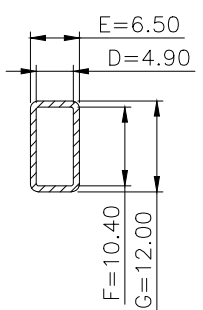
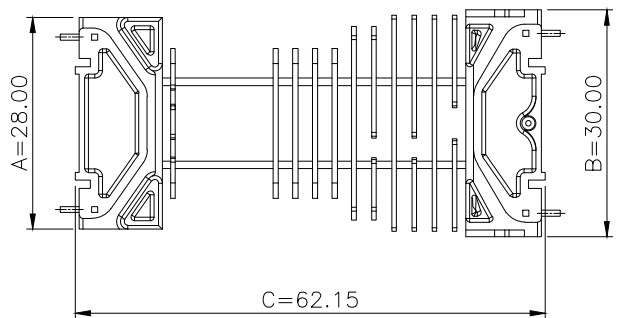
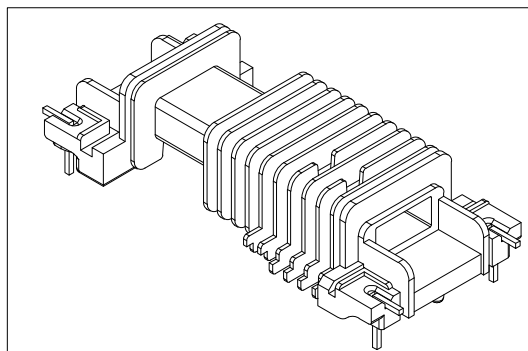
SECTION G-G



SECTION H-H



SECTION A-A



SECTION I-I

△									
△									
△									
△									
MARK	REVISION NOTE					DATE	DRAWN	CHECKED	APPROVED
	DRAWN	CHECKED	APPROVED	MATERIAL : P.E.T	UL REC. : UL94V-0	THIRD ANGLE PROJ.	SCALE : 1/1		
	Deok Man, Cho	Hyoung Seok, Lee	Chul, Park	Y, Z : PIN LENGTH (According to customer's request)	DATE : 2009.09.08	TOLERANCE : ±0.2 (Unless otherwise specified)		UNIT : m/m	
	주식회사 대흥보빈 DAE HEUNG BOBBIN CO., LTD					TITLE		DWG NO	
						UU 16*54 (4P) "H" (C)		DH-091102-1019-00	