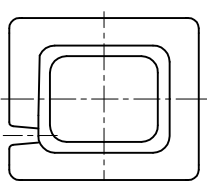
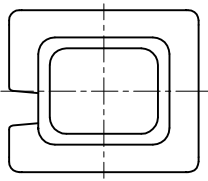


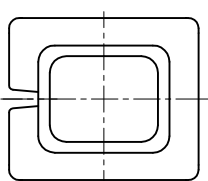
SEC A-A



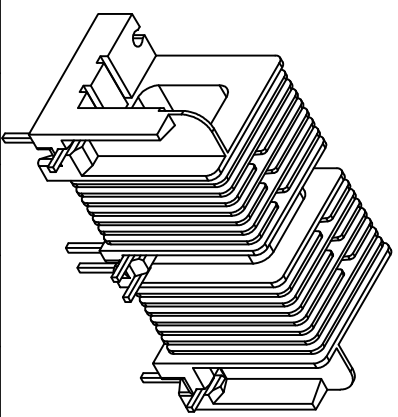
SEC B-B



SEC C-C



SEC D-D



△											
△											
△											
△											
△											
MARK											
DRAWN	CHECKED	APPROVED	REVISION NOTE				DATE	DRAWN	CHECKED	APPROVED	
Dea Hui, Kim	Ipyoung Seok, Lee	Chul, Park	MATERIAL : PBT	UT REC. : U194V-0	THIRD ANGLE PROJ.	SCALE : 1/1					
			TITLE : Z : PIN LENGTH (according to customer's request)				DATE : 2007.10.12	TOLERANCE : ±0.1 (Unless otherwise specified)			
			DWG NO				UNTT : m/m				
주식회사 대흥보빈 DAF HEUNG BOBBIN CO., LTD			UU 33*56 BOBBIN 2차 (C)				DH-071012-1018-08				