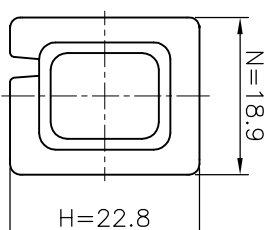
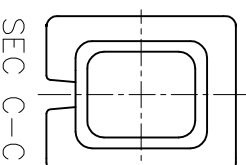
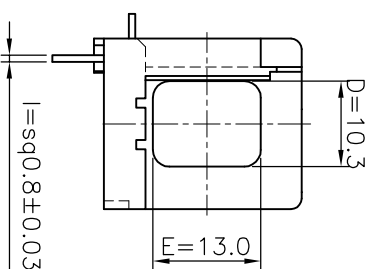
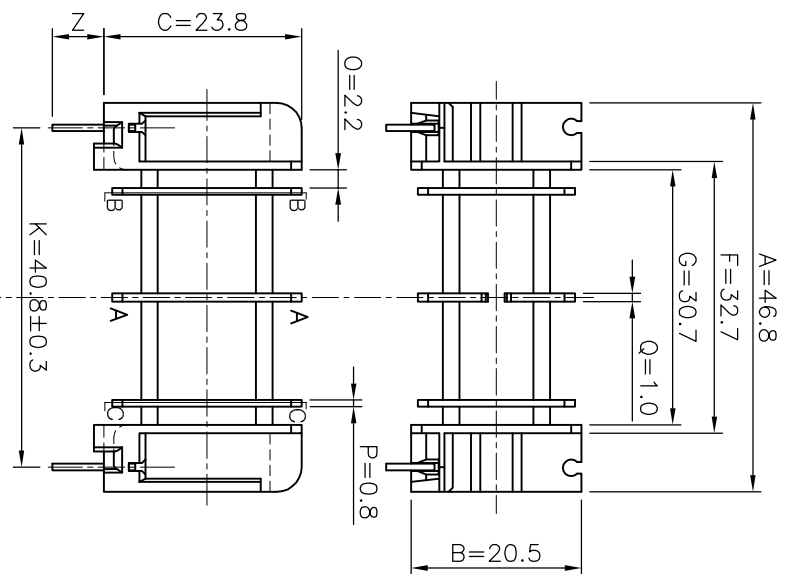


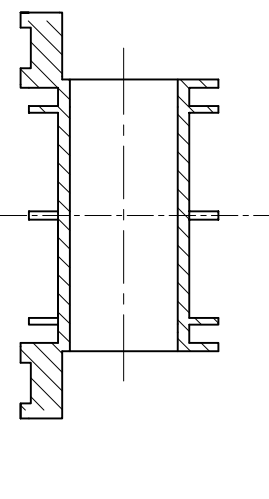
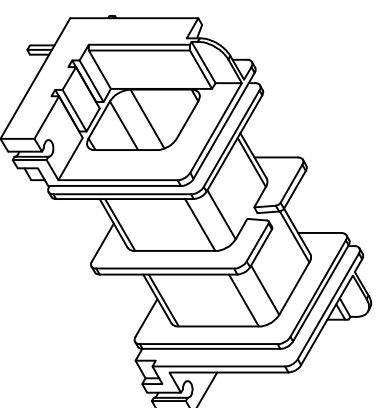
SEC A-A



SEC B-B



SEC C-C



△									
△									
△									
△									
MARK		REVISION NOTE		DATE	DRAWN	CHECKED	APPROVED		
DRAWN	CHECKED	APPROVED	MATERIAL : PBT	UT. REC. : U194V-0	THIRD ANGLE PROJ.	SCALE : 1/1			
Des. Han, Kim	Ipyoung Seok, Lee	Chul Park	Z : PIN LENGTH (according to customer's request)	DATE : 2007.10.12	TOLERANCE : ±0.1 (Unless otherwise specified)	UNTT : m/m			
주식회사 대흥보빈 DAE HEUNG BOBBIN CO., LTD			TITLE	DATE	DWG NO				
			UU 33*56 BOBBIN 1차 (C)	DH-071012-1018-07					