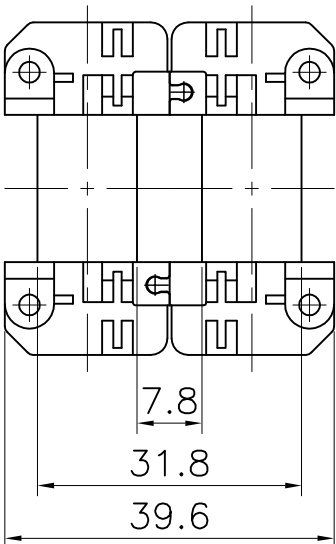
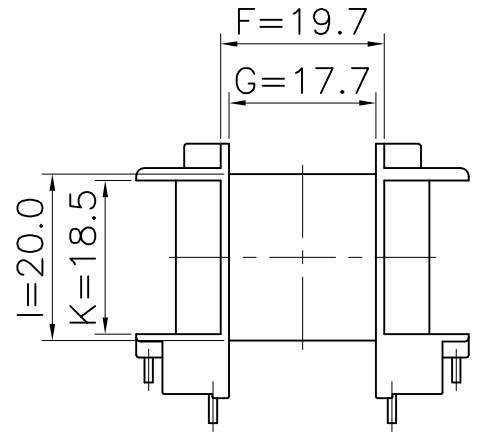
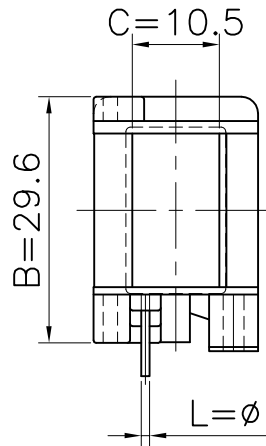
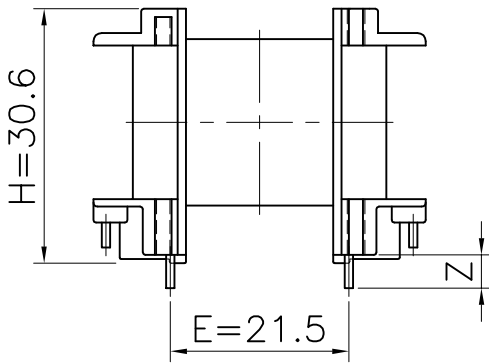
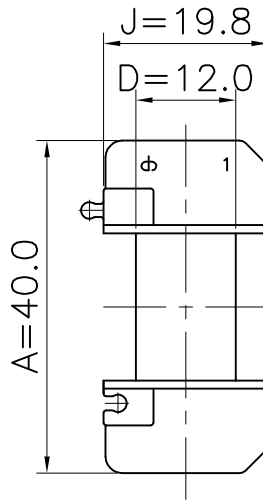
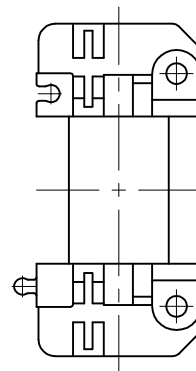


조립도



조립도



④					
③					
②					
①					

MARK	REVISION NOTE	DATE	DRAWN	CHECKED	APPROVED
------	---------------	------	-------	---------	----------

DRAWN	CHECKED	APPROVED	MATERIAL : P.B.T	UL REC. : UL94V-0	THIRD ANGLE PROJ.	SCALE : 1/1
-------	---------	----------	------------------	-------------------	-------------------	-------------

Min Ah, Cho	Chul, Park	Dong Kyu, Kim	Z: PIN LENGTH (According to customer's request)	DATE : 2007.02.28	TOLERANCE : ±0.2 (Unless otherwise specified)	UNIT : m/m
-------------	------------	---------------	--	-------------------	--	------------

주식회사 대흥보빈 DAE HEUNG BOBBIN CO., LTD	TITLE	DWG NO
	UU 30*40 (4P) "H" (A)	DH-040831-1015-00