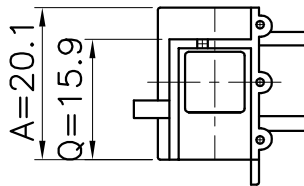
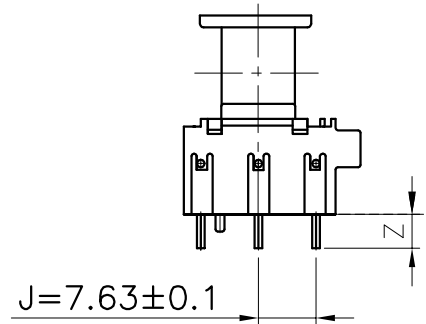
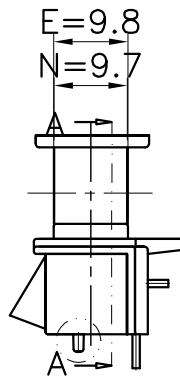
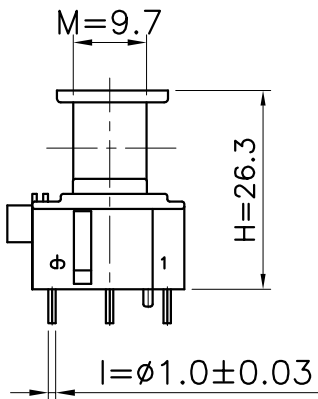


SECTION A-A



④							
③							
②							
①							
MARK	REVISION NOTE			DATE	DRAWN	CHECKED	APPROVED
DRAWN	CHECKED	APPROVED	MATERIAL : P.B.T	UL REC. : UL94V-0	THIRD ANGLE PROJ.	SCALE : 1/1	
Min Ah, Cho		Jin Oh, Yoo	Z : PIN LENGTH (According to customer's request)	DATE : 2003.08.05	TOLERANCE : ±0.1 (Unless otherwise specified)	UNIT : m/m	
주식회사 대흥보빈 DAE HEUNG BOBBIN CO., LTD 양식-도면-01(0)			TITLE UU 21*32 (3P) "V" (2차) (주)대흥보빈		DWG NO DH-030805-1014-02		